

GPS Based Autonomous Robot Navigation in Robotics Along With Directionality

N,Manikandan^{1*},S. Prabhu^{2*},R. Niranjana^{2*},R. Prakash^{2*},M. Rojer Muneer^{2*},
S.Siva murugan^{2*}, G,Rathis^{2*}

⁽¹⁾Assistant Professor, Department of Mechanical Engineering, P.A. College of Engineering and Technology,
Coimbatore 642 002, Tamil Nadu, India)

⁽²⁾Under graduate, Department of Mechanical Engineering, P.A. College of Engineering and Technology,
Coimbatore 642 002, Tamil Nadu, India)

* Corresponding author: N,Manikandan

Abstract

Background: In the present time followers are the approaching load carriers, a worldwide positioned system controlled machine-controlled radio-controlled vehicle acknowledges the surroundings to determine the placement of all things. With none infrastructure, additionally to self-propelled vehicle equipped with radio-controlled positioned technology notice and sense obstacles, racks and walls inside the ware house. Exploitation these established quotation; it will position itself, in real times and verify its route and correct positions. They are not any limitations to hide any distances and created variety of acquire and drop are made.

Keywords: Automated Guided Vehicle, GPS Receiver and Transfer Data-Bluetooth Module, GPS Feed.

Date of Submission: 29-05-2021

Date of Acceptance: 12-06-2021

I. Introduction

[1]Automatic or automation means, as by electronic devices, reducing human intervention to a minimum. This will reduce the time delay and human efforts in a luggage management system. Nowadays everyone uses luggage for travel especially to the airport, all of them dragging heavy luggage. It becomes a hectic journey. This problem can be overcome by an automatic luggage follower system. It reduces time delay and human efforts in luggage management. The usage of plan ultrasonic sensor and dc engines play a significant role. For the counter burglary following reason, GSM and GPS are used. Whenever the pack is lost, the client can get to the location by GSM and GPS global positioning framework. [2]Baggage sack utilized in the present voyaging is physically determined which burns-through significant human energy and doesn't have security highlights programmed bag follower will reduce Manuel work of passenger and provide safety features. Baggage pack which is utilized in this day and age is hand-driven presenting issues like debilitating human energy and not outfitted with cutting edge wellbeing highlights by Automatic luggage follower bag is a solution to this problem. It can also be called smart luggage because of its automation. The ultrasonic sensor is used for passenger detection and distance measurement. The movement of the luggage is controlled using wheels which in turn are controlled by a raspberry pi. GSM and GPS are used for security purposes to help track the luggage bag in case it's lost. A message will be sent which will activate GPS and the location of the luggage bag will be sent using GSM. The minimum distance between the luggage bag and passenger has to be maintained, it is done with help of raspberry pi.[3]A fluffy variable design regulator is introduced for direction following of vehicle.

The way following issue is changed over into a control issue dependent on the kinematics model of the vehicle. The proposed control approach empowers the framework states to follow the ideal direction with high exactness. Moreover, by utilizing fluffy control idea in the variable design framework, the chatting issue which exists in most factor framework is quelled, and framework vigor to vulnerabilities and outside aggravation is improved. Reenactment results are introduced to approve the control calculation. Following control of nonholonomic versatile robots is an examination area of interest in the current control field. GB nonholonomic portable robots are taken as the control object, with their following control techniques featured. Nitty-gritty depiction centers on the control design of the assessed techniques, just as application models towards four single control strategies and two crossover control systems. Besides, we set forward additional possibilities for streamlining following the control procedure. In outline, this paper for the most part presents the following. [4]The utilization of the vision sensor in input control has acquired as of late expanded consideration from scientists both in vision and control local area. A considerable measure of work has been done in applications in self-ruling driving, control, portable robot route, and observation. However, hypothetical and insightful parts of

the issue have not gotten a lot of consideration. Moreover, the issue of assessment from the vision estimations has been considered independently from the plan of the control techniques. Rather than addressing the posture assessment and control issues independently, we endeavor to portray the kinds of control undertakings which can be accomplished utilizing just amounts straightforwardly quantifiable in the picture, bypassing the posture assessment stage. We think about the assignment of a route for a nonholonomic ground portable base following a discretionarily molded persistent ground bend. . This following issue is planned as one of controlling the state of the bend in the picture plane. We study the controllability of the framework portraying the elements of the picture bend and show that the state of the picture bend is controllable simply up to its "straight" ebb and flow boundaries. We present settling control laws for following piecewise logical bends, and propose to follow discretionary bends by approximating them by piecewise "straight" curve bends. Recreation results are given for these control plans. Discernibleness of the bend elements by utilizing direct estimations from vision sensors as the yields is contemplated and an Extended Kalman Filter is proposed to powerfully assess the picture amounts required for input control from the genuine loud pictures. [5]This paper portrays the turn of events and testing of visual schedules for vehicle control. It tends to the age of visual schedules from pictures utilizing appearance-based models of shading and shape. The visual schedules introduced here are a significant segment of the discernment subsystem of a canny vehicle. The possibility of visual schedules is convincing inferable from the way that being special-purpose immense measures of calculation can be saved. Consequently, they have been utilized in a few reproductions; however, so far they have been utilized in picture investigation just in a couple of limited conditions. [6]This paper depicts continuous improvements to the Alvin system self-sufficient land vehicle in a neural association for neural association based autonomous driving The makers previously 1991 1992 uncovered a strategy that allows a fake neural association to quickly sort out some way to coordinate by watching a person Be that as it may, the quicker the organization is prepared, the less openness it gets to novel or rare situations. For example, during a common brief preparing run, the organization sees barely any instances of passing vehicles. At the point when an uncommon circumstance like this happens during testing, its absence of inclusion in the preparation set can result in unpredictable driving. By demonstrating the presence of rare situations and afterward utilizing the model to expand the preparation set, one can show the organization, to sum up to circumstances not expressly addressed in the live preparing information. Using this methodology an association arranged over a two-mile stretch of the street had the alternative to travel freely for 21 2 miles at paces of up to 55 miles/hour. [7]This paper presents the execution of the co-usable task "Self-governing Driving" which had been set up for the robotization of vehicle test drives on the Volkswagen demonstrating ground. The parts of the vehicle, its working standard furthermore, some first test outcomes will be engaged here. As part of the idea, standard vehicles can be changed into naturally determined vehicles inside a couple of hours by talented people. Inside the venture, two test vehicles were prepared with sensors, PCs and actuators (driving robots). The vehicles can be driven by a robot while the sensor framework notices the whole environmental factors to have the option to evade hindrances. Vehicle direction is constrained by satellite route (DGPS) just as visual path recognition. Moreover, the vehicle control can be overruled by an electronic copilot in the event of a crisis. First assessment comes about because of driving tests by satellite route control and visual path recognition control in an exceptional demonstrating ground environment. The hardware is particularly planned for the trial of vehicles with quick and simple mechanical establishment and with the possibility to drive numerous vehicle models. The current work manages programmed driving by PC vision and DGPS at lower speeds on an uncommon test course with sharp curves. Examination work continues including the increment of speed and control quality particularly for troublesome driving circumstances. [8]Self-ruling driving gives a compelling method to address traffic concerns like security and clog. There has been expanding interest in the advancement of independent driving as of late. Interest has remembered rapid driving for thruways, metropolitan driving, and route through less organized rough terrain conditions. The essential test in self-sufficient driving is creating discernment methods that are dependable under the extraordinary inconstancy of outside conditions in any of these conditions. Streets fluctuate in appearance. Some are smooth and all-around stamped, while others have breaks and potholes or are plain. Shadows, glare, shifting light, earth or unfamiliar matter, different vehicles, downpour, and snow likewise influence street appearance. This paper portrays a visual preparing calculation that upholds self-governing driving. The calculation necessitates that path markings be available and endeavors to follow the path markings on every one of two path limits in the path of movement. There are three phases of visual handling calculation: separating edges, figuring out which edges compare to path markers and refreshing mathematical models of the path markers. A fourth stage registers a controlling order for the vehicle dependent on the refreshed street model. All preparation is bound to the 2-D picture plane. No data about the movement of the vehicle is utilized. This calculation has been utilized as a component of a total framework to drive a self-ruling vehicle, a high portability multipurpose wheeled vehicle (HMMWV). Independent driving has been exhibited on both nearby streets and interstates at speeds as much as 100 kilometers each hour (km/h). The calculation has performed well within the sight of non-ideal street conditions remembering holes for the path markers, sharp bends, shadows, breaks in the asphalt, wet streets, downpour,

nightfall, and evening driving. The calculation runs at an inspecting pace of 15 Hz and has a most pessimistic scenario preparing defer season of 150 milliseconds. Handling is executed under the NASA/NBS Standard Reference Model for Telerobotic Control System Architecture (NASREM) engineering and runs on a committed picture preparing motor and a VME-based microchip framework. [9]The advancement of mechanized guided vehicles assumes a significant part in designing businesses to improve the material taking care of method for a late year. This paper is centered around the plan and diverse philosophy of line adherent mechanized guided vehicle (AGV) frameworks. This paper gives an outline of line devotee AGV talks about ongoing innovative turns of events. The fundamental parts of the line devotee robot and their adjustment are portrayed in this paper. [10]Later on, it could be feasible to utilize huge quantities of self-governing marine vehicles to perform monotonous and risky assignments, like minesweeping. Speculatively, gatherings of vehicles may use their numbers by collaborating. A central type of collaboration is to perform assignments while keeping a mathematical arrangement. The development conduct would then be able to empower other agreeable practices. In this paper, we portray a pioneer adherent arrangement flying control calculation. This calculation can be applied to one-, two-, and three-dimensional arrangements and contains a level of inherent heartiness. Reproductions and trials are portrayed that describe the exhibition of the development control calculation. The trials used surface specialty that was furnished with an acoustic route and correspondence framework, an agent of the advances that oblige the activity of submerged independent vehicles. The recreations similarly incorporated the discrete-time nature of the correspondence and route. [11]The organized utilization of various Autonomous Underwater Vehicles can give significant benefits to oceanographic missions. One significant mission application situation can be the inquiry of submerged tufts, for example, wellsprings of freshwater of aqueous vents. These crests describe the climate by making a slope field of some quantifiable actual amount. An imaginative incorporated acoustic route framework and coordination control move for the development of 3 AUVs and 1 surface art to slope search and following missions is proposed. The particular arrangement calculation and geography consider the route and coordination prerequisites. It was intended to accomplish an effective, easy and possible arrangement. The framework can work in 3 modes relying upon development distances. Shifting pinging rates and counterbalances are utilized to impart boundaries and mode evolving. No extra submerged correspondence frameworks neither acoustic transponder arrangements are required for the vehicle coordination. This way a serious level of energy effectiveness and by and large mission minimal effort and less difficult coordination is accomplished. The half and half nature of the organizing move permits the development inclination overview and following with the productive misuse of the climate organizing by the marvels to be considered. The individual control laws were planned to limit the between vehicle correspondence. The coordination factors are the information by the vehicles of one another conduct (since all vehicles execute similar control laws) and the recognition of arrangement twists. These twists are identified by the general route framework. The proposed approach permits the minimal effort usage of various AUV organizing control for a huge scope of oceanographic missions. [12]Multi-robot frameworks (MRS) have as of late become a subject of interest in the field of advanced mechanics research, since they can be used in numerous different territories of use. The way that MRS applications are perplexing, subsequently, they should be isolated into a bunch of sub-undertakings that requires the consolidation of an errand allotment, which will be mindful for doling out the robots to the accessible errands to be executed. This exploration interest of numerous specialists is reached out to the savvy transportation frameworks society, through considering the vehicles as portable robots. As of now the number of the insightful vehicles out and about is expanding, which requires more coordination and participation among them. In this paper, a market-based methodology is proposed for taking care of the errand distribution issue in different self-ruling vehicles framework. The proposed approach tends to general undertaking assignment issue, it creates an answer that amplifies the generally execution and limits the complete expense of the framework target cost work. This is thinking about the certifiable imperatives of the framework, the necessities of the assignments, and the capacities of the vehicles. Various situations are tried in recreation and true analyses. The acquired results show the superior of the proposed approach in a productive way, also the pertinence in a genuine world circumstances. [13]Another powerful control engineering dependent on support learning (RL) has been created and applied to the issue of the fast street following of high-arch streets. Through RL, the control framework by implication learns the vehicle-street cooperation elements, information which is fundamental for stay out and about in high-velocity street following. To begin with, PC reproduction has been done to test the dependability and execution of the proposed RL regulator before the real use. The proposed regulator displayed a decent street following execution, particularly on high-bend streets. At that point, the real independent driving analyses effectively checked the control execution nearby streets in which there were shadows from the trees, loud or potentially broken path markings, distinctive street ebbs, and flows, and various times mirroring a scope of lighting conditions. The proposed three-stage picture preparing calculation and the utilization of each of the six segments of edges have been fit for dealing with the greater part of the vulnerabilities emerging from the no ideal street conditions. [14]This paper presents a visual criticism control plot for a nonholonomic truck without capacities for dead retribution. A

camera is mounted on the truck and it notices signs appended on the climate. The elements of the truck are changed into an organized framework in the picture plane. An image-based regulator which linearizes the elements is proposed. Since the positions of the prompts in the picture plane are controlled directly, the plausibility of missing signals is decreased considerably. Simulations are completed to assess the legitimacy of the proposed plot. Analyses on a radio-controlled vehicle with a CCD camera are additionally given. [15]This paper depicts a control strategy for independent vehicles utilizing visual servoing. For controlling an independent vehicle by visual servoing, marks for self-ruling running, specifically milestones are important. In standard investigations, the tourist spots are determined by an administrator at the showing step, which is completed before self-governing running. This paper depicts a technique for adjusting creation frameworks for arranging the utilization of tourist spots for computerizing the showing activities and improving the heartiness of independent running. By its creation framework, anybody can play out the showing activities without a specialist on visual servoing and the vehicle can adjust to unsettling influences while running self-sufficiently. This paper portrays a strategy for visual servoing utilizing various tourist spots in a solitary picture to explore a vehicle along a showed way. [16]This paper presents the usage of the co-usable venture "Self-sufficient Driving" which had been set up for the mechanization of vehicle test drives on the Volkswagen demonstrating ground. The parts of the vehicle, its working standard, and some first test outcomes will be engaged here. As a component of the idea, standard vehicles can be changed into naturally determined vehicles inside a couple of hours by gifted people. Inside the undertaking, two test vehicles were furnished with sensors, PCs, and actuators (driving robots). The vehicles can be driven by a robot while the sensor framework notices the whole environmental factors to have the option to dodge impediments. Vehicle direction is constrained by satellite route (DGPS) just as visual path identification. Besides, the vehicle control can be overruled by an electronic copilot if there should be an occurrence of a crisis.

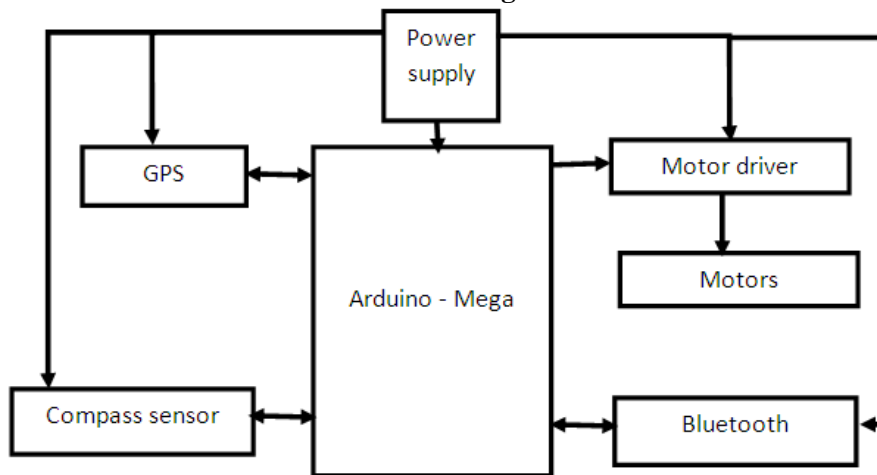
1.1 System Overview

A geo-control AGV sees its condition to develop its zone. The extension and longitude bearings of your GPS structure in your high-level cell phone travel through Bluetooth module. The data is gotten by the GPS beneficiary in the AGV which follows the zone and seeks after the bearings which are related by the Bluetooth module. Using the fixed references, it can situate itself, dynamically and choose its course. There are no limitations on partitions to cover the number of getting or drop-off regions. Courses are relentlessly modifiable. The structure is moreover gone probably as a store carrier in amassing units.

II. Methodology And Block Diagram

1. Initialize all the modules – Bluetooth, GPS, Magnetometer, and Serial – (for debugging).
2. Bluetooth – for communicating with the phone app.
3. GPS – to get the longitude and latitude values of the present location of the robot.
4. Magnetometer – to know the direction the robot is facing at the particular instant.
5. Serial – for debugging – connected to PC.
6. Enter the main loop wherein the Bluetooth values are read based on the several actions are taken:
 - a. Manual operation – forward, reverse, left, and right turn.
 - b. Get compass direction.
 - c. Stop the robots.
 - d. Set waypoint.
 - e. Clear waypoint.
 - f. Go to waypoint.
 - g. Compass configuration.
 - h. The main loop runs repeatedly.
7. We have a phone app that gives the above commands thru Bluetooth to the GPS robot hardware for various options listed above.

III. Block Diagram



IV. Components Required

4.1 Bluetooth Module

Bluetooth assumes an indispensable part to move information from our telephone to GOS collector. HC-05 Bluetooth module is a simple-to-utilize Bluetooth SPP (Serial Port Protocol) module, intended for straightforward remote sequential association arrangement. Its correspondence is through sequential correspondence which makes it simple to interface with regulator or PC. HC-05 Bluetooth module gives exchanging mode among expert and slave mode which implies it ready to utilize neither accepting nor sending information. The Bluetooth module HC-05 is a MASTER/SLAVE module. Naturally, the manufacturing plant setting is SLAVE. The part of the module (Master or Slave) can be designed exclusively by AT COMMANDS. The slave modules can't start an association with other Bluetooth gadgets, however can acknowledge associations. An expert module can start an association with different gadgets. The client can utilize it basically for a sequential port substitution to set up association among MCU and GPS, PC to your installed project, and so forth...

By the above cycle, the supporter is worked under the GPS area for conveying a more modest burden for a typical individual and heavier burden transporter for assembling ventures. Computerized adherents are regularly utilized in FMS to keep up, move and interface more modest subsystem into one enormous creation unit.



Fig 4.1 Bluetooth Module

4.2 The Arduino Mega 2560

The Arduino Mega 2560 is a microcontroller board dependent on the ATmega2560 (datasheet). It has 54 computerized input/output pins (of which 14 can be utilized as PWM yields), 16 simple sources of info, 4 UARTs (equipment sequential ports), a 16 MHz precious stone oscillator, a USB association, a force jack, an ICSP header, and a reset button. It contains all that expected to help the microcontroller; interface it to a PC with a USB link or force it with an AC to-DC connector or battery to begin. The Mega is viable with most shields intended for the Arduino Duemilanove or Diecimila.

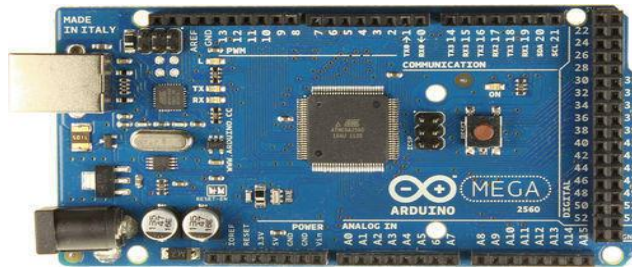


Fig 4.2 The Arduino Mega 2560

4.3 L293D Motor Driver Module

It works on the concept of H-bridge. H-bridge is a circuit which allows the voltage to be flown in either direction. As you know voltage need to change its direction for being able to rotate the motor in clockwise or anticlockwise direction, Hence H-bridge IC are ideal for driving a DC motor. In a single L293D chip there are two h-Bridge circuit inside the IC which can rotate two dc motor independently. Due its size it is very much used in robotic application for controlling DC motors. Given below is the pin diagram of a L293D motor controller. There are two Enable pins on L293d. Pin 1 and pin 9, for being able to drive the motor, the pin 1 and 9 need to be high. For driving the motor with left H-bridge you need to enable pin 1 to high. And for right H-Bridge you need to make the pin 9 to high. If anyone of the either pin1 or pin9 goes low then the motor in the corresponding section will suspend working. It's like a switch.

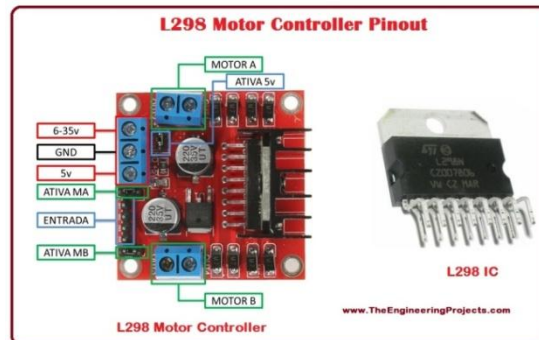


Fig 4.3 L293D Motor Driver Module

4.4 GPS Modules

Specialized information sheet portraying the savvy, elite u-blox 6 based NEO-6 arrangement of GPS modules, that brings the high execution of the u-blox 6 situating motor to the smaller than normal NEO structure factor. These beneficiaries join a significant degree of incorporation ability with adaptable network alternatives in a little bundle. This makes them appropriate for mass-market finished results with exacting size and cost necessities. The NEO-6 module arrangement brings the superior of the u-blox6 position motor to the scaled-down NEO structure factor. u-blox6 has been planned with low force utilization and low expenses as a main priority. The DDC interface furnishes availability and empowers collaborations with u-blox LEON and LISA remote modules. All NEO-6 modules are produced in ISO/TS 16949 confirmed locales. Every module is tried and reviewed during creation. The modules are qualified by ISO 16750 - Environmental conditions and electrical testing for electrical furthermore, electronic hardware for street vehicles.



Fig 4.4 GPS Modules

4.5 HMC5883L Magnetometer Module

A magnetometer is used as a compass in Mobiles Phones, Navigation systems in vehicles to indicate directions. A magnetometer is used for measurement of magnetic field direction in space. Most navigation systems use electronic compasses to determine heading direction. It has several types such as fluxgate, magneto resistive, magneto-inductive and others.



Fig 4.5 HMC5883L Magnetometer Module

V. Coding For Follower in C:

```
#include <TinyGPS++.h>
#include <SoftwareSerial.h>
#include <LiquidCrystal.h>
/*
  This sample sketch demonstrates the normal use of a TinyGPS++ (TinyGPSPlus) object.
  It requires the use of SoftwareSerial, and assumes that you have a
  4800-baud serial GPS device hooked up on pins 4(rx) and 3(tx).
*/
static const int RXPin = 4, TXPin = 3;
static const uint32_t GPSBaud = 9600;

LiquidCrystal lcd(14,15,16,17,18,19);

String voice;
int
m1 = 8, //Connect LED 1 To Pin #2
m2 = 9, //Connect LED 2 To Pin #3
m3 = 10, //Connect LED 3 To Pin #4
m4 = 11; //Connect LED 4 To Pin #5

// The TinyGPS++ object
TinyGPSPlus gps;

// The serial connection to the GPS device
SoftwareSerial ss(RXPin, TXPin);

void setup()
{
  Serial.begin(9600);
  ss.begin(GPSBaud);
  lcd.begin(16, 2);
  lcd.setCursor(0,0);
  lcd.print("  GPS  ");
  lcd.setCursor(0,1);
  lcd.print(" Follower Robot ");
  delay(2500);
  lcd.clear();

  pinMode(m1, OUTPUT);
  pinMode(m2, OUTPUT);
  pinMode(m3, OUTPUT);
  pinMode(m4, OUTPUT);
}
```

```
digitalWrite(m1, LOW);
  digitalWrite(m2, LOW);
  digitalWrite(m3, LOW);
  digitalWrite(m4, LOW);

// Serial.println(F("DeviceExample.ino"));
// Serial.println(F("A simple demonstration of TinyGPS++ with an attached GPS module"));
// Serial.print(F("Testing TinyGPS++ library v. ")); Serial.println(TinyGPSPlus::libraryVersion());
// Serial.println(F("by Mikal Hart"));
// Serial.println();
}

void Forward()
{
  digitalWrite(m1, HIGH);
  digitalWrite(m2, LOW);
  digitalWrite(m3, HIGH);
  digitalWrite(m4, LOW);
  delay(1500);
  digitalWrite(m1, LOW);
  digitalWrite(m2, LOW);
  digitalWrite(m3, LOW);
  digitalWrite(m4, LOW);
  voice="";
}
void Reverse()
{
  digitalWrite(m1, LOW);
  digitalWrite(m2, HIGH);
  digitalWrite(m3, LOW);
  digitalWrite(m4, HIGH);
  delay(1500);
  digitalWrite(m1, LOW);
  digitalWrite(m2, LOW);
  digitalWrite(m3, LOW);
  digitalWrite(m4, LOW);
  voice="";
}
void Left()
{
  digitalWrite(m1, LOW);
  digitalWrite(m2, HIGH);
  digitalWrite(m3, HIGH);
  digitalWrite(m4, LOW);
  delay(1500);
  digitalWrite(m1, LOW);
  digitalWrite(m2, LOW);
  digitalWrite(m3, LOW);
  digitalWrite(m4, LOW);
  voice="";
}
void Right()
{
  digitalWrite(m1, HIGH);
  digitalWrite(m2, LOW);
  digitalWrite(m3, LOW);
  digitalWrite(m4, HIGH);
```



```
    delay(1500);
    digitalWrite(m1, LOW);
    digitalWrite(m2, LOW);
    digitalWrite(m3, LOW);
    digitalWrite(m4, LOW);
}

void Stop()
{
    digitalWrite(m1, LOW);
    digitalWrite(m2, LOW);
    digitalWrite(m3, LOW);
    digitalWrite(m4, LOW);
}

void BT()
{
    while (Serial.available())
    {

        delay(10); //Delay added to make thing stable
        char c = Serial.read(); //Conduct a serial read
        if (c == '#') {break;} //Exit the loop when the # is detected after the word
        voice += c; //Shorthand for voice = voice + c
    }

    if (voice.length() > 0)
    {
        lcd.setCursor(0,1);
        lcd.print("BT: ");
        lcd.print("      ");
        lcd.setCursor(4,1);
        lcd.print(voice);
        //Serial.println(voice);
//-----//
//-----Control Multiple Pins/ LEDs-----//
        if(voice == "1") {Forward(); } //Turn Off All Pins (Call Function)
        else if(voice == "2"){Reverse();} //Turn On All Pins (Call Function)
        else if(voice == "4"){Left();}
        else if(voice == "3"){Right();}
        else {Stop();}
        voice="";
        delay(1500);
    }
}

void loop()
{
    BT();

    // This sketch displays information every time a new sentence is correctly encoded.
    while (ss.available() > 0)
        if (gps.encode(ss.read()))
            displayInfo();

    if (millis() > 5000 && gps.charsProcessed() < 10)
    {
        //Serial.println(F("No GPS detected: check wiring."));
        while(true);
    }
}
```

```

}
}

void displayInfo()
{
//Serial.print(F("Location: "));
if (gps.location.isValid())
{
//Serial.print(gps.location.lat(), 3);
//Serial.print(F(", "));
//Serial.print(gps.location.lng(), 3);

    lcd.setCursor(0,0);
    lcd.print("Loc:");

    lcd.print(gps.location.lat(), 3);
    lcd.print(F(", "));
    lcd.print(gps.location.lng(), 3);
    lcd.setCursor(0,1);
    lcd.print("BT:");
}
else
{
//Serial.print(F("INVALID"));
}

//Serial.println();
}

```

VI. Conclusion

At the point when we actualized the venture in the genuine, we are tracked down that the supporters are reasonable for moving a little amount of burden. These sort of devotees are valuable for some application, for mechanical use as well as for homegrown employments. The task is made with pre-arranging, which gives adaptability inactivity. This development has made the more alluring and conservative. This task "Computerized supporter dependent on GPS framework" is planned with the expectation that it is a lot conservative and accommodating to numerous enterprises. This task encouraged us much affordable and supportive to numerous businesses. This task assists us with knowing the intermittent strides in finishing a venture work.

References

- [1]. Sonali Patil. ;Shrutika Patil. ;Anuja Patil. ;Prof. Deshmukh, S. (2019). "Automatic Luggage Follower" (IRJET), 2199-2202.
- [2]. Krishn Kumar Yadav. ;Abhishek Yadav. ;Nitesh Tiwari. (2020). "Design and Implementing Automatic Follower Bag" Easy Chair Preprint.
- [3]. Jiangzhou, L. U. ;Sepanta Sekhavat. ;Christian Laugier. (1999). "Fuzzy Variable-Structure Control for Nonholonomic Vehicle Path Tracking" INRIA Rh6ne- Alpes ZIRST-655 av de l'Europe 38330 Montbonnot, France, 465-470.
- [4]. Yi Ma. ;Jana Koseck. ;Shankar S. (1999). "Vision Guided Navigation For A Nonholonomic Mobile Robot" IEEE TRANSACTIONS ON ROBOTICS AND AUTOMATION, VOL. 15, NO. 3, 521-530.
- [5]. Dean Pomerleau, P. "Progress In Neural Network- Based Vision For Autonomous Robot Driving", 391-396.
- [6]. Garbis Salgian. ;Dana, H. Ballard. (1998). "Visual Routines for Vehicle Control" "The Confluence of Vision and Control" Springer Verlag, In press, 1-13.
- [7]. Hubert Weisser. ;Peter, J. Schuienberg. ;Haraid Gollinger. ;Rolf Schmidt. (2000). "Autonomous Driving On Vehicle Test Tracks: Overview, Implementation And First Results" IFAC Control in Transportation Systems, Braunschweig, Germany, 365-368.
- [8]. Marilyn Nashman. ;Henry Scheiderman. "Real- Time Visual Processing For Autonomous Driving", 373-378.
- [9]. Suman Kumar Das. ;Pasan, M. K. (2016) "Design And Methodology Of Automated Guided Vehicle-A Review" IOSR Journal of Mechanical and Civil Engineering (IOSR-JMCE), 29-35.
- [10]. Edwards, D. B. ;Bean, T. A. ;Odell, D. L. ;Anderson, M. J. (2004) "A Leader-Follower Algorithm for Multiple AUV Formations" IEEE.
- [11]. Martins. ;Almeida, J. M. ;Silva, E. (2003). "Coordinated Maneuver For Gradient Search Using Multiple AUVs" IEEE, 347-352.
- [12]. Andras Kokuti. ;Ahmed Hussein. ;Arturo De La Escalera. ;Fernando Garcia. (2018). "Market-Based Approach For Cooperation And Coordination Among Multiple Autonomous Vehicles" Research gate.
- [13]. Lee, J. ;Choi, D. "A New Reinforcement Learning Architecture For Road Following" IEEE.
- [14]. Koichi Hashimoto. ;Toshiro Noritsugu. (1997) "Visual Servoing Of Nonholonomic Cart" IEEE, 1717-1724.
- [15]. Daniel Ravi. ;Martin Herman. (1993). "Visual Servoing Using Relevant 2-D Image Cues" Intelligent 93 conference Tokyo, China, 1-8.
- [16]. Pin, F. ;Wantanabe, Y. "A Car Using Reflexive Fuzzy Behaviours Driving" IEEE International Conference on Fuzzy Systems.
- [17]. Sabarinathan, C. ;Manikandan, N. ;Sureshkumar, V. P. ;Siva Murugan, S. ;Rathis, G. (2020). "Effect on tool life by addition of nanoparticles with the cutting fluid", Materials Today: Proceedings.

- [18]. Manikandan, N. ;Sabarinathan, C. (2019). "Investigation on the thermal decomposition and the morphological properties of cryogenically treated MWCNTs", Digest Journal of Nanomaterials & Biostructures (DJNB).
- [19]. Suresh Kumar, V. P. ;Manikandan, N. ;Subakaran, C. ;Sterbin Jeso, Y. G. (2018). "An Experimental Effect Of Zno Nanoparticles" In SAE 20W50 Oil, Int Res J Eng Technologies.
- [20]. Zeelanbasha, N. ;Manikandan, N. ;Sabarinathan, C. (2020). "Wear and Hardness Investigation of Cryogenic Treated Epoxy Reinforced with Hybrid Nano Composite", Digest Journal Of Nanomaterials And Biostructures.
- [21]. Suresh Kumar, V. P. ;Manikandan, N. ;Jayaraj, M. (2017). "Design and Analysis Of Ultrasonic Welding Horn Using Finite Element Analysis", Int. J. Eng. Sci. Technol. Res.
- [22]. Manikandan, N. ;Stalin, B. (2013). "Design of Naca63215 Airfoil for a Wind Turbine", IOSR Journal of Mechanical and Civil Engineering (IOSR-JMCE).
- [23]. Baskaran ;Manikandan, N. ;Sureshkumar, V. P. (2018). "Thermodynamic Analysis Of Di Methyl Ether And Its Blends As Alternative Refrigerants To R134a In A Vapour Compression Refrigeration System", Development.
- [24]. Baskaran. ;Manikandan, N. ;Sureshkumar, V. P. (2018). "Thermodynamic and Thermophysical Assessment Of Dimethyl Ether And Its Blends Application In Household Refrigerator, International Journal of Advance Engineering and Research Development" Dynamic Publisher.
- [25]. Manikandan, N. (2018). "Effects Of Sub-Cooling On the Performance Of R152a And Re170 As Possible Alternatives In A Domestic Refrigeration System", GJRA.
- [26]. Manikandan, N. ;Sureshkumar, V. P. ;Mithun Rupak, S. ;Vishnuraja, J. ;Sterbin Jeso, Y. G. (2018). "Optimisation Technique for Design And Fabrication Of Astm Based Multithickness Die".
- [27]. Suresh Kumar, V. P. ;Manikandan, N. ;Sterbin Jeso, Y. G. ;Subakaran, C. ;Muthukumar, N. (2017). "Apparatus for measuring Thermal conductivity of fluids, International Journal of Scientific and Engineering Research".
- [28]. Manikandan, N. (2015). "Experimental Analysis of Heat Transfer Rate In Pin Fin Material With Micro Coating, International Journal of Applied Engineering Research".
- [29]. Manikandan, N. ;Suresh Kumar, V. P. (2013) "Integrated Simulation of Supply Chain Management", Lean Thinking.

N,Manikandan, et. al. "GPS Based Autonomous Robot Navigation in Robotics Along With Directionality." *IOSR Journal of Electronics and Communication Engineering (IOSR-JECE)* 16(3), (2021): pp: 01-11.